

Dell™ PowerEdge™  
R300 Systems

# Getting Started With Your System

Guide de mise en route  
Primeiros passos com o sistema  
Procedimientos iniciales con el sistema





Dell™ PowerEdge™  
R300 Systems

# Getting Started With Your System



# Notes, Notices, and Cautions



**NOTE:** A NOTE indicates important information that helps you make better use of your computer.



**NOTICE:** A NOTICE indicates either potential damage to hardware or loss of data and tells you how to avoid the problem.



**CAUTION:** A CAUTION indicates a potential for property damage, personal injury, or death.

---

**Information in this document is subject to change without notice.**

© 2007 Dell Inc. All rights reserved.

Reproduction in any manner whatsoever without the written permission of Dell Inc. is strictly forbidden.

Trademarks used in this text: *Dell*, the *DELL* logo, and *PowerEdge* are trademarks of Dell Inc.; *Intel*, *Pentium*, *Celeron* and *Xeon* are registered trademarks and *Core* is a trademark of Intel Corporation in the U.S. and other countries; *Microsoft*, *Windows*, and *Windows Server* are either trademarks or registered trademarks of Microsoft Corporation in the United States and/or other countries; *Red Hat* and *Enterprise Linux* are registered trademarks of Red Hat Inc.; SUSE is a registered trademark of Novell Inc..

Other trademarks and trade names may be used in this document to refer to either the entities claiming the marks and names or their products. Dell Inc. disclaims any proprietary interest in trademarks and trade names other than its own.

Model SMT

December 2007

P/N RW575

Rev. A00

# System Features

The major hardware and software features of your system include:

- 1U/1S rack-mountable chassis with support for static rails and sliding rails.
  - ▣ **NOTE:** Use the System Setup program to view processor information. See "Using the System Setup Program" in your *Hardware Owner's Manual*.
- One of the following processors:
  - Single Core Intel® Celeron® 445 Processor
  - Dual-Core Intel Core™ 2 Duo E6305 or E6405 Processor
  - Quad-Core Intel Xeon® X3323, X3353, or X3363 Processor
- A minimum of 512-MB single or dual-ranked registered 667-MHz DDR2 memory modules with ECC, upgradeable to a maximum of 24-GB by installing combinations of 512-MB, 1-GB, 2-GB, or 4-GB memory modules in six memory module sockets on the system board.
- One of the following riser card options:
  - Two riser cards (left and center risers), each providing a x8 lane width PCI-Express expansion slot.
  - OR
  - One riser card (center riser), providing a x8 lane width PCI-Express expansion slot.
  - One riser card (left riser) providing a 3.3 V, 64-bit 133MHz PCI-X expansion slot.
- One 12.7 mm DVD, or combination CD-RW/DVD in a device drive bay.
- Support for the following internal hard-drive configurations:
  - Up to two 3.5-inch, internal, SATA hard drives with the optional SAS controller card (hot-plug option available).
  - Up to two 3.5-inch, internal, Serial-Attached SCSI (SAS) hard drives with an optional SAS controller card (hot-plug option available).

- Optional remote access controller for remote systems management, which is installed on the dedicated slot on the system board.
- Optional USB flash drive emulates a diskette drive or hard drive.
- One 400-W power supply (optional redundant power supply available).
- Two integrated Gigabit Ethernet network adapters, capable of supporting 10-Mbps, 100-Mbps, and 1000-Mbps data rates with support for Wake-on-LAN.
- A Dell Remote Access Controller Card (DRAC5), which provides remote system management, crashed system recovery, and power control functions for Dell PowerEdge.
- An integrated VGA-compatible video subsystem with an ATI ES1000, 33-MHz PCI video controller. This video subsystem contains a minimum of 32MB of graphics memory with support for 2D graphics. Maximum resolution is 1600 x 1200 with 65,536 colors; true-color graphics are supported in the following resolutions: 640 x 480, 800 x 600, 1024 x 768, 1280 x 1024. When the optional remote access card is installed, the maximum video resolution is 1280 x 1024.
- Fan modules, each of which is comprised of two dual-rotor fans positioned in front of the processor and memory.
- Fan modules, comprised of two dual-rotor fans positioned in front of the PSU. These fans are used for the two redundant PSUs (hot-plug hard drives and redundant PSU configuration).
- Serial connector for console redirection support.
- Security features, including chassis-intrusion detection and keylock on the optional bezel.
- An integrated Trusted Platform Module (TPM) version 1.2 used for security applications, capable of generating and storing keys, and storing passwords and digital certifications. (Not available in China.)

- Systems management software/circuitry that monitors critical system voltages and temperatures.
- Back-panel connectors include video, serial, two USB, and two network adapter connectors.
- Front-panel connectors include one VGA and two USB connectors.
- One internal USB connector is included for a bootable memory key.
- Front-panel 1x5 LCD for system ID and error messaging.

For more information about specific features, see “Technical Specifications” on page 11.

The following software is included with your system:

- A System Setup program for viewing and changing system configuration information. For more information, see “Using the System Setup Program” in the *Hardware Owner’s Manual*.
- Enhanced security features, including a system and setup passwords are available through the System Setup program.
- Video drivers for displaying programs in high-resolution modes.

Systems management software and documentation CDs.

## Supported Operating Systems

- Microsoft® Windows Server® 2008 Web, Standard, and Enterprise (32-bit x86) Editions (*when available*)
- Microsoft Windows Server 2008 Web, Standard, Small Business Server (Premium and Standard), and Enterprise (x64) Editions (*when available*)
- Microsoft Windows Server 2003 Web, Standard, Small Business Server (Premium and Standard), and Enterprise (32-bit x86) Editions (SP1 and SP2)
- Microsoft Windows Server 2003 Standard and Enterprise (x64) Editions
- Microsoft Windows Server 2003 R2 Standard, Small Business Server (Premium and Standard), and Enterprise (32-bit x86) Editions

- Microsoft Windows Server 2003 R2 Standard and Enterprise (x64) Editions
- Red Hat® Enterprise Linux® ES (versions 4 and 5) (x86\_32)
- Red Hat Enterprise Linux ES (versions 4 and 5) (x86\_64)
- SUSE® Linux Enterprise Server 9 (SP4 or later) (x86\_64)
- SUSE Linux Enterprise Server 10 (x86\_64)



**NOTE:** For the latest information on supported operating systems, see [www.dell.com](http://www.dell.com).

## Other Information You May Need



**CAUTION:** The *Product Information Guide* provides important safety and regulatory information. Warranty information may be included within this document or as a separate document.

- The *Rack Installation Guide* or *Rack Installation Instructions* included with your rack solution describes how to install your system into a rack.
- The *Getting Started Guide* provides an overview of system features, setting up your system, and technical specifications.
- The *Hardware Owner's Manual* provides information about system features and describes how to troubleshoot the system and install or replace system components.
- CDs included with your system provide documentation and tools for configuring and managing your system.
- Systems management software documentation describes the features, requirements, installation, and basic operation of the software.
- Operating system documentation describes how to install (if necessary), configure, and use the operating system software.
- Documentation for any components you purchased separately provides information to configure and install these options.



- Updates are sometimes included with the system to describe changes to the system, software, and/or documentation.
  - ✍ **NOTE:** Always check for updates on [support.dell.com](https://support.dell.com) and read the updates first because they often supersede information in other documents.
- Release notes or readme files may be included to provide last-minute updates to the system or documentation or advanced technical reference material intended for experienced users or technicians.


## Obtaining Technical Assistance

If you do not understand a procedure in this guide or if the system does not perform as expected, see your *Hardware Owner's Manual*.

Dell Enterprise Training and Certification is available; see [www.dell.com/training](https://www.dell.com/training) for more information. This service may not be offered in all locations.

## Installation and Configuration

 **CAUTION:** Before performing the following procedure, read and follow the safety instructions and important regulatory information in your *Product Information Guide*.

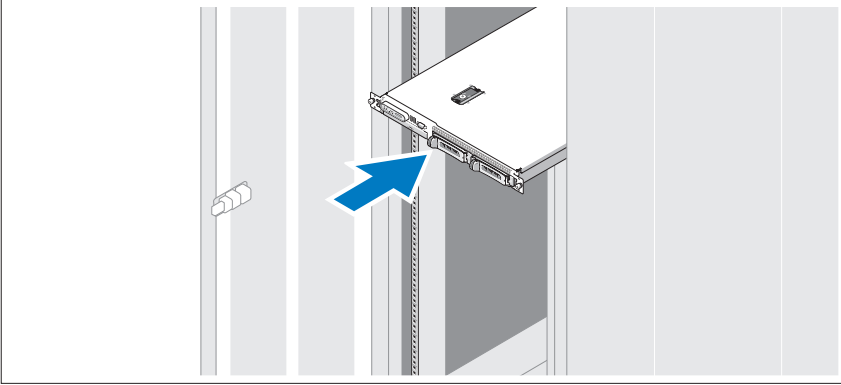
 **CAUTION:** Whenever you need to lift the system, get others to assist you. To avoid injury, do not attempt to lift the system by yourself.

This section describes the steps to set up your system for the first time.

### Unpacking the System

Unpack your system and identify each item. Keep all shipping materials in case you need them later.

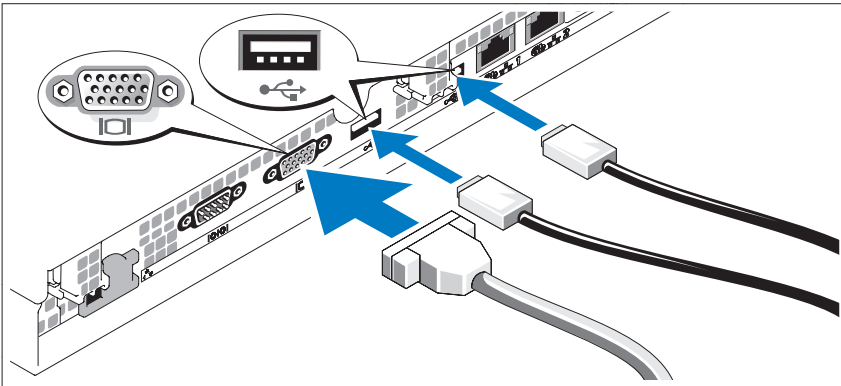
## Installing the Rail and System in a Rack



Install the system in the rack once you have read the “Safety Instructions” located in the rack installation documentation for your system.

See your rack installation documentation for instructions on installing your system in a rack. For power and cooling guidelines, see the rack capacity planner tool on [www.dell.com](http://www.dell.com).

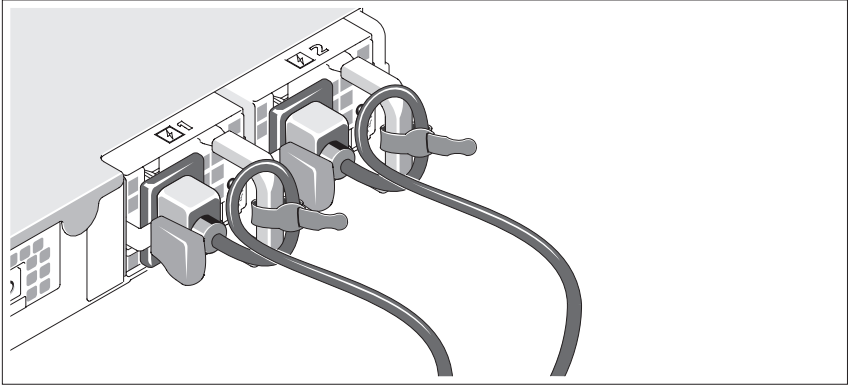
## Connecting the Keyboard, Mouse, and Monitor



Connect the keyboard, mouse, and monitor (optional).

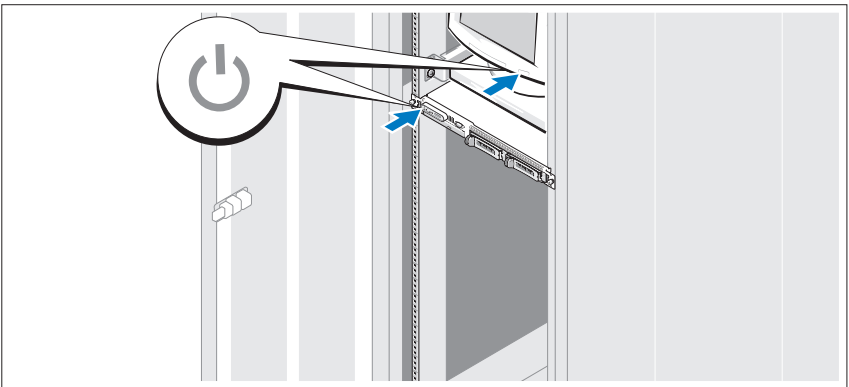
The connectors on the back of your system have icons indicating which cable to plug into each connector. Be sure to tighten the screws (if any) on the monitor's cable connector.

## Connecting the Power



Connect the system's power cable(s) to the system (a redundant system is shown in the illustration). For redundant systems, secure the cables with the two Velcro straps that ship with your system, as shown. For non-redundant systems, attach the power cord retention bracket that ships with your system. Plug the other end of the cable into a grounded electrical outlet or a separate power source such as an uninterruptible power supply (UPS) or a power distribution unit (PDU).

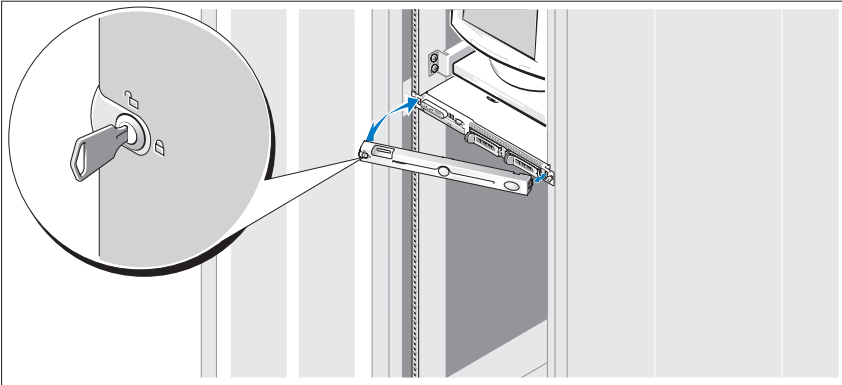
## Turning on the System



Turn on the system and monitor (optional).

Press the power button on the system and the monitor. The power indicators should light. Adjust the monitor's controls until the displayed image is satisfactory.

### **Installing the Bezel**



Install the bezel (optional).

## **Complete the Operating System Setup**

If you purchased a preinstalled operating system, see the operating system documentation that ships with your system. To install an operating system for the first time, see the *Quick Installation Guide*. Be sure the operating system is installed before installing hardware or software not purchased with the system.

# Technical Specifications

---

## Processor

---

Processor type	Single Core Intel® Celeron® 445 processor or Dual-Core Intel Core™ 2 Duo E6305 or E6405 sequence processor or Quad-Core Intel Xeon® X3323, X3353, or X3363 serial processor
----------------	---

---

## Expansion Buses

---

Bus type	PCI-X, PCIe
<b>Expansion slots – Two optional riser cards</b>	
Riser 1	
PCIe Center Riser	One full-height, half-length, x8 lane PCIe slot
PCIe Left Riser	One full-height, half-length, x8 lane PCIe slot
Riser 2	
PCI-X Left Riser	One full-height, half-length, 64-bit, 133MHz PCI-X slot
PCIe Center Riser	One full-height, half-length, x8 lane PCIe slot

---

## Memory

---

Architecture	Up to six registered DDR2 677 MHz RDRAM memory modules with ECC
Memory module sockets	Six 240-pin
Memory module capacities	512 MB, 1 GB, 2 GB, 4GB
Minimum RAM	512 MB (one 512-MB module)
Maximum RAM	24 GB

---

## Drives

---

### Hard Drives

SATA	Up to two 3.5-inch, internal (optional for hot-plug)
SAS	Up to two 3.5-inch, internal with optional SAS controller card (optional for hot-plug)
CD/DVD drive	One optional DVD, or combination CD-RW/DVD in a device drive bay <b>NOTE:</b> DVD devices are data only.
USB flash drive	One optional drive that emulates a diskette drive or hard drive

---

## Connectors

---

### Externally accessible

#### Back

Network adapter	Two RJ-45 (for integrated 1-Gigabit network adapters)
Serial	9 pin
USB	Two 4-pin, USB 2.0 compliant
Video	15-pin VGA

#### Front

Video	15-pin VGA
USB	Two 4-pin, USB 2.0 compliant

### Internally accessible

SATA channels	Three 7-pin
USB key (for memory key)	one 4-pin, USB 2.0-compliant

---

**Video**

---

Video type	Integrated ATI ES1000 VGA controller
Video memory	32 MB (Min)-64 MB (Max) DDR II

---

**Power**

---

**AC power supply**

Wattage	400 W redundant PSU for hot-plug hard drives plus redundant PSU configuration (maximum configuration)
Voltage	100–240 VAC, 50/60 Hz
Maximum inrush current	Under typical line conditions and over the entire system ambient operating range, the inrush current may reach 25 A for 10 ms or less
System battery	CR 2032 3.0-V lithium coin cell

---

**Physical**

---

Height	4.2 cm (1.67 in)
Width	42.6 cm (16.78 in)
<b>Depth</b>	
With optional bezel	69.3 cm (27.29 in)
Without optional bezel	66 cm (26 in)
Weight (maximum configuration Kg)	13.45 kg (29.6 lb)

---

## Environmental

---

**NOTE:** For additional information about environmental measurements for specific system configurations, see [www.dell.com/environmental\\_datasheets](http://www.dell.com/environmental_datasheets).

### Temperature

Operating	10° to 35°C (50° to 95°F)
Storage	-40° to 65°C (-40° to 149°F)

### Relative humidity

Operating	20% to 80% (noncondensing) with a maximum humidity gradation of 10% per hour
Storage	5% to 95% (noncondensing)

### Maximum vibration

Operating	0.26 Grms at 5–350 Hz for 15 min
Storage	1.54 Grms at 10–250 Hz for 15 min

### Maximum shock

Operating	One shock pulse in the positive z axis (one pulse on each side of the system) of 31 G for up to 2.6 ms
Storage	Six consecutively executed shock pulses in the positive and negative x, y, and z axes (one pulse on each side of the system) of 71 G for up to 2 ms

### Altitude

Operating	-16 to 3,048 m (-50 to 10,000 ft) <b>NOTE:</b> For altitudes above 2,950 feet, the maximum operating temperature is derated 1°F/550 ft.
Storage	-16 to 10,600 m (-50 to 35,000 ft)

### Airborne Contaminant Level

Class	G2 or lower as defined by ISA-S71.04-1985
-------	---



Systèmes Dell™  
PowerEdge™ R300

# Guide de mise en route



# Remarques, avis et précautions



**REMARQUE** : Une REMARQUE indique des informations importantes qui peuvent vous aider à mieux utiliser votre ordinateur.



**AVIS** : Un AVIS vous avertit d'un risque de dommage matériel ou de perte de données et vous indique comment éviter le problème.



**PRÉCAUTION** : Une PRÉCAUTION indique un risque potentiel d'endommagement du matériel, de blessure corporelle ou de mort.

---

**Les informations contenues dans ce document peuvent être modifiées sans préavis.**

© 2007 Dell Inc. Tous droits réservés.

La reproduction de ce document de quelque manière que ce soit sans l'autorisation écrite de Dell Inc. est strictement interdite.

Marques utilisées dans ce document : *Dell*, le logo *DELL* et *PowerEdge* sont des marques de Dell Inc. ; *Intel*, *Pentium*, *Celeron* et *Xeon* sont des marques déposées de Intel Corporation aux États-Unis et dans d'autres pays ; *Core* est une marque de Intel Corporation aux États-Unis et dans d'autres pays ; *Microsoft*, *Windows* et *Windows Server* sont des marques ou des marques déposées de Microsoft Corporation aux États-Unis et/ou dans d'autres pays ; *Red Hat* et *Enterprise Linux* sont des marques déposées de Red Hat Inc. ; *SUSE* est une marque déposée de Novell Inc.

D'autres marques et noms de marques peuvent être utilisés dans ce document pour faire référence aux entités se réclamant de ces marques et de ces noms ou à leurs produits. Dell Inc. dénie tout intérêt propriétaire vis-à-vis des marques et des noms de marque autres que les siens.

Modèle SMT

Décembre 2007

N/P RW575

Rév. A00

## Caractéristiques du système

Les principales caractéristiques du système sur le plan matériel et logiciel sont les suivantes :

- Châssis 1U/1S montable en rack avec support pour rails statiques et rails coulissants.



**REMARQUE** : Utilisez le programme de configuration du système pour visualiser les informations concernant les processeurs. Voir "Using the System Setup Program" (Utilisation du programme de configuration du système) dans le document *Hardware Owner's Manual* (Manuel du propriétaire).

- L'un des deux processeurs suivants est installé :
  - Processeur à cœur unique Intel® Celeron® 445
  - Processeur double cœur Intel Core™ 2 Duo E6305 ou E6405
  - Processeur quadruple cœur Intel Xeon® X3323, X3353 ou X3363
- Un minimum de 512 Mo de mémoire, sous forme de barrettes DDR2 à une seule ou deux rangées de connexion, à registres et avec ECC, cadencées à 667 MHz. Extension possible (jusqu'à 24 Go maximum) via l'installation de combinaisons de barrettes de 512 Mo, 1 Go, 2 Go ou 4 Go dans les six emplacements mémoire de la carte système.
- L'une des options suivantes pour la carte de montage :
  - Deux cartes de montage (gauche et centrale) offrant chacune un logement d'extension PCI-Express x8.
  - ou-
  - Une carte de montage (installée au centre) comprenant un logement d'extension PCI-Express x8.
  - Une carte de montage (installée à gauche) comprenant un logement d'extension PCI-X 64 bits à 3,3 V (133 MHz).
- Un lecteur de DVD de 12,7 mm ou un lecteur combo CD-RW/DVD, installé dans une baie de périphérique.

- Prise en charge des configurations suivantes pour les disques durs internes :
  - Jusqu'à deux disques durs SATA internes de 3,5 pouces, avec la carte contrôleur SAS en option (version enfichable à chaud disponible en option).
  - Jusqu'à deux disques durs SAS (Serial-Attached SCSI) internes de 3,5 pouces, avec une carte contrôleur SAS en option (version enfichable à chaud disponible en option).
- Un contrôleur d'accès distant en option (pour la gestion de systèmes à distance), installé dans le logement dédié de la carte système.
- Un lecteur flash USB (en option) émulant un lecteur de disquette ou un disque dur.
- Un bloc d'alimentation de 400 W (bloc d'alimentation redondant disponible en option).
- Deux cartes réseau Ethernet Gigabit intégrées prenant en charge des débits de 10, 100 ou 1000 Mbps avec prise en charge de la fonction Wake-on-LAN.
- Un contrôleur DRAC5 (Dell Remote Access Controller Card 5) fournissant des fonctions de gestion de systèmes à distance, de récupération d'urgence et de contrôle de l'alimentation pour Dell PowerEdge.
- Un sous-système vidéo compatible VGA intégré avec contrôleur vidéo PCI ATI ES1000 (33 MHz). Ce sous-système dispose d'un minimum de 32 Mo de mémoire graphique avec prise en charge des graphiques en 2D. La résolution maximale prise en charge est de 1600 x 1200 avec 65536 couleurs. Les graphiques True-color sont pris en charge dans les résolutions suivantes : 640 x 480, 800 x 600, 1024 x 768 et 1280 x 1024. Lorsque la carte RAC en option est installée, la résolution vidéo maximale est de 1280 x 1024.
- Quatre modules de ventilation, chacun comprenant deux ventilateurs à double rotor, positionnés devant le processeur et la mémoire.

- Modules de ventilation comprenant deux ventilateurs à double rotor, positionnés devant les blocs d'alimentation. Ces ventilateurs sont utilisés pour les deux blocs d'alimentation redondants (configuration comprenant des disques durs enfichables à chaud et des blocs d'alimentation redondants).
- Un connecteur série assurant la prise en charge de la redirection de console.
- Des fonctions de sécurité telles que la détection des intrusions dans le châssis et le verrou du cadre en option.
- Puce TPM (Trusted Platform Module) intégrée version 1.2, utilisée pour la sécurité des applications et pouvant générer et mémoriser des clés, des mots de passe et des certificats numériques (non disponible en Chine).
- Des circuits/logiciels de gestion de systèmes surveillant les tensions et les températures critiques.
- Le panneau arrière contient un port série, un port vidéo, deux ports USB et deux connecteurs de carte réseau.
- Le panneau avant comprend deux connecteurs USB et un connecteur VGA.
- Un connecteur USB interne permet d'installer une clé de mémoire amorçable.
- L'écran LCD 1x5 du panneau avant affiche l'ID du système et les messages d'erreur.

Pour plus d'informations sur des caractéristiques spécifiques, voir "Spécifications techniques", à la page 26.

Les logiciels suivants sont livrés avec le système :

- Programme de configuration du système permettant de consulter et de modifier les informations de configuration. Pour plus d'informations, voir "Using the System Setup Program" (Utilisation du programme de configuration du système), dans le document *Hardware Owner's Manual* (Manuel du propriétaire).
- Fonctions de sécurité avancées (disponibles dans le programme de configuration du système) permettant de définir un mot de passe système et un mot de passe de configuration.
- Pilotes vidéo permettant d'afficher des programmes dans les modes à haute résolution.

CD contenant les logiciels de gestion de systèmes et la documentation.

## Systèmes d'exploitation pris en charge

- Microsoft® Windows Server® 2008 32 bits/x86 éditions Web, Standard et Enterprise (*selon disponibilité*)
- Microsoft Windows Server 2008 64 bits éditions Web, Standard, Small Business Server (Premium et Standard) et Enterprise (*selon disponibilité*)
- Microsoft Windows Server 2003 32 bits/x86 éditions Web, Standard, Small Business Server (Premium et Standard) et Enterprise (SP1 et SP2)
- Microsoft Windows Server 2003 64 bits éditions Standard et Enterprise
- Microsoft Windows Server 2003 R2 32 bits/x86 éditions Standard, Small Business Server (Premium et Standard) et Enterprise
- Microsoft Windows Server 2003 R2 64 bits éditions Standard et Enterprise
- Red Hat® Enterprise Linux® ES, x86\_32, versions 4 et 5
- Red Hat Enterprise Linux ES, x86\_64, versions 4 et 5
- SUSE® Linux Enterprise Server 9, x86\_64, SP4 ou suivant
- SUSE Linux Enterprise Server 10, x86\_64



**REMARQUE :** Pour obtenir les informations les plus récentes sur les systèmes d'exploitation pris en charge, rendez-vous sur le site [www.dell.com](http://www.dell.com).

## Autres informations utiles



**PRÉCAUTION :** Le document *Product Information Guide* (Guide d'information sur le produit) contient d'importantes informations se rapportant à la sécurité et aux réglementations. Les informations sur la garantie se trouvent soit dans ce document, soit à part.

- Les documents *Rack Installation Guide* (Guide d'installation du rack) et *Rack Installation Instructions* (Instructions d'installation du rack) fournis avec la solution rack décrivent l'installation du système.
- Le document *Getting Started Guide* (Guide de mise en route) décrit les caractéristiques du système, les procédures de configuration et les spécifications techniques.
- Le document *Hardware Owner's Manual* (Manuel du propriétaire) contient des informations sur les caractéristiques du système, ainsi que des instructions relatives au dépannage et à l'installation ou au remplacement de composants.
- Les CD fournis avec le système contiennent des documents et des outils relatifs à la configuration et à la gestion du système.
- La documentation des logiciels de gestion de systèmes contient des informations sur les fonctionnalités, l'installation et l'utilisation de base de ces logiciels, ainsi que sur la configuration requise.
- La documentation du système d'exploitation indique comment installer (au besoin), configurer et utiliser le système d'exploitation.
- La documentation fournie avec les composants achetés séparément contient des informations permettant de configurer et d'installer ces options.
- Des mises à jour sont parfois fournies avec le système. Elles décrivent les modifications apportées au système, aux logiciels ou à la documentation.



**REMARQUE :** Vérifiez toujours si des mises à jour sont disponibles sur le site [support.dell.com](http://support.dell.com) et lisez-les en premier, car elles remplacent souvent les informations contenues dans les autres documents.


- Si des notes d'édition ou des fichiers lisez-moi (readme) sont fournis, ils contiennent des mises à jour de dernière minute apportées au système ou à la documentation, ou bien des informations techniques avancées destinées aux utilisateurs expérimentés ou aux techniciens.


## Obtention d'une assistance technique

Si vous ne comprenez pas une procédure décrite dans ce guide ou si le système ne réagit pas comme prévu, reportez-vous au document *Hardware Owner's Manual* (Manuel du propriétaire).

Des formations et certifications Dell Enterprise sont disponibles. Pour plus d'informations, consultez le site [www.dell.com/training](http://www.dell.com/training). Ce service n'est disponible que dans certains pays.

## Installation et configuration

 **PRÉCAUTION** : Avant de commencer la procédure suivante, lisez et appliquez les consignes de sécurité et les informations importantes sur les réglementations figurant dans le document *Product Information Guide* (Guide d'information sur le produit).

 **PRÉCAUTION** : Demandez toujours de l'aide avant de soulever le système. N'essayez pas de le soulever seul, car vous risqueriez de vous blesser.

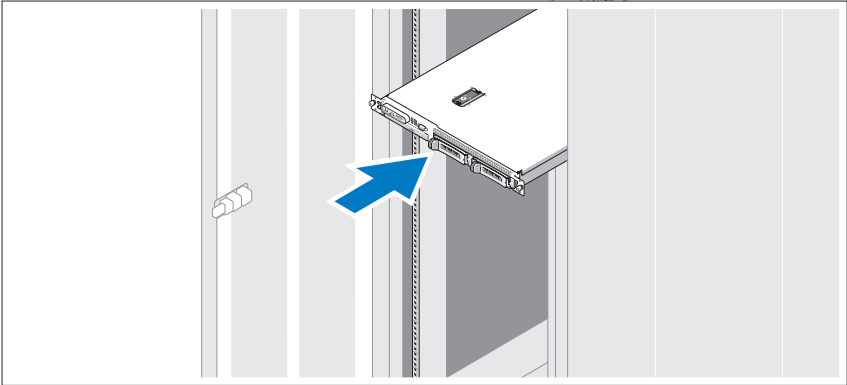
Cette section décrit les opérations à effectuer lors de la configuration initiale du système.

### Déballage du système

Sortez le système de son emballage et identifiez chaque élément. Conservez les matériaux d'emballage au cas où vous en auriez besoin ultérieurement.



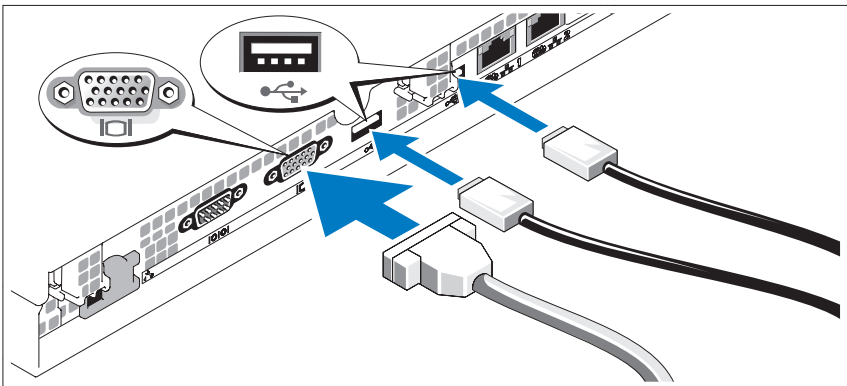
## Installation des rails et du système dans un rack



Commencez par lire les consignes de sécurité qui se trouvent dans la documentation d'installation du rack, puis installez le système dans le rack.

Consultez la documentation d'installation en rack pour obtenir les instructions appropriées. Pour obtenir des directives concernant l'alimentation et le refroidissement, reportez-vous au planificateur de capacité des racks disponible sur le site [www.dell.com](http://www.dell.com).

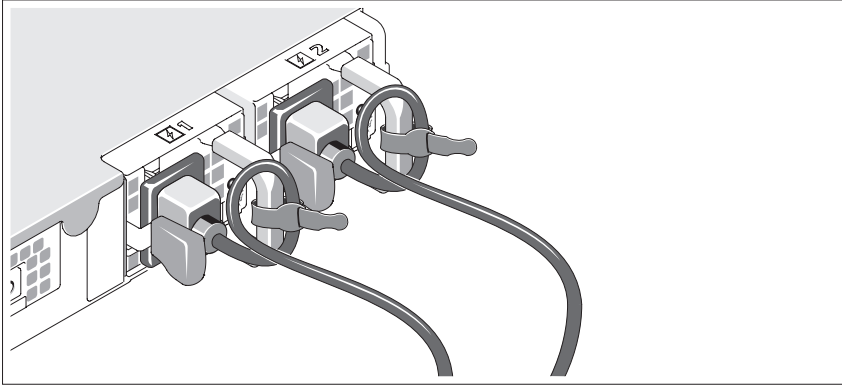
## Connexion du clavier, de la souris et du moniteur



Connectez le clavier et la souris, ainsi que le moniteur (si nécessaire).

Utilisez les icônes des connecteurs situés à l'arrière du système pour savoir où insérer chaque câble. N'oubliez pas de serrer les vis situées sur le connecteur du câble du moniteur, s'il en est équipé.

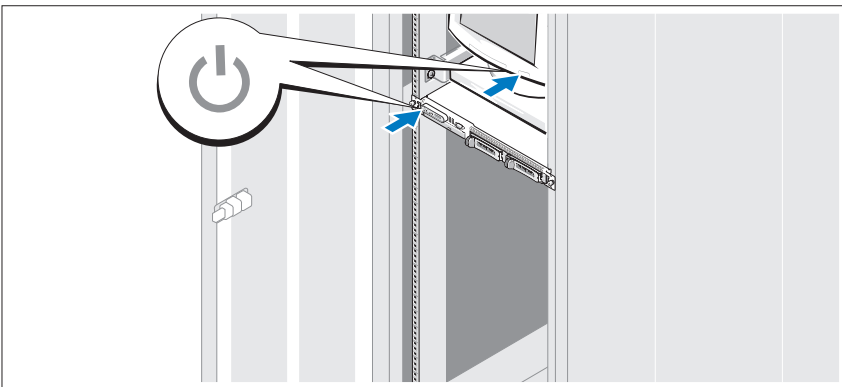
## Branchement des câbles d'alimentation



Branchez le(s) câble(s) d'alimentation sur le système (l'illustration présente un système redondant). Pour les systèmes redondants, attachez les câbles à l'aide des deux bandes Velcro fournies avec le système, comme indiqué dans l'illustration. Pour les systèmes non redondants, installez le support de fixation de câble d'alimentation fourni avec le système.

Branchez ensuite l'autre extrémité du câble sur une prise de courant mise à la terre ou sur une source d'alimentation autonome (onduleur ou unité de distribution de l'alimentation [PDU]).

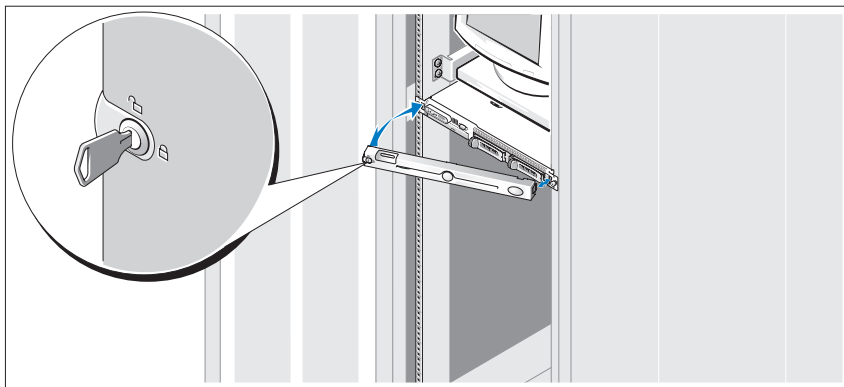
## Mise sous tension du système



Mettez le système sous tension, ainsi que le moniteur, si nécessaire.

Appuyez sur le bouton d'alimentation du système et sur celui du moniteur. Les voyants d'alimentation doivent s'allumer. Réglez le moniteur jusqu'à ce que l'image soit correctement affichée.

### Installation du cadre



Installez le cadre (facultatif).

## Finalisation de l'installation du système d'exploitation

Si vous avez acheté un système d'exploitation préinstallé, consultez tout d'abord la documentation associée, qui a été fournie avec l'ordinateur. Si vous installez un système d'exploitation pour la première fois, consultez le document *Quick Installation Guide* (Guide d'installation rapide). Veillez à installer le système d'exploitation avant tout élément matériel ou logiciel acheté séparément.

# Spécifications techniques

---

## Processeur

---

Type de processeur	Processeur à coeur unique Intel® Celeron® 445 -ou- Processeur double coeur Intel Core™ 2 Duo E6305 ou E6405 -ou- Processeur quadruple coeur Intel Xeon® X3323, X3353 ou X3363
--------------------	---

---

## Bus d'extension

---

Type de bus	PCI-X, PCIe
<b>Logements d'extension – Deux cartes de montage en option</b>	
Carte de montage 1	
Carte de montage PCIe centrale	Un logement PCIe x8 mi-longueur/pleine hauteur
Carte de montage PCIe de gauche	Un logement PCIe x8 mi-longueur/pleine hauteur
Carte de montage 2	
Carte de montage PCI-X de gauche	Un logement PCI-X 64 bits à 133 MHz mi-longueur/pleine hauteur
Carte de montage PCIe centrale	Un logement PCIe x8 mi-longueur/pleine hauteur

---

## Mémoire

---

Architecture	Jusqu'à six barrettes de RDRAM DDR2 à registres et avec ECC, cadencées à 667 MHz
Connecteurs mémoire	Six x 240 broches
Capacité des barrettes de mémoire	512 Mo, 1 Go, 2 Go ou 4 Go
RAM minimale	512 Mo (une barrette de 512 Mo)
RAM maximale	24 Go

---

## Lecteurs

---

### Disques durs

SATA	Jusqu'à deux disques durs internes de 3,5 pouces (disques enfichables à chaud disponibles en option)
SAS	Jusqu'à deux disques durs internes de 3,5 pouces avec une carte contrôleur SAS en option (disques enfichables à chaud disponibles en option)
Lecteur de CD/DVD	Un lecteur de DVD ou un lecteur combo CD-RW/DVD (tous deux en option) installé dans une baie de périphérique <b>REMARQUE :</b> Les périphériques DVD sont uniquement des périphériques de données.
Lecteur flash USB	Un lecteur en option émulant un lecteur de disquette ou un disque dur

---

## Connecteurs

---

### Accessibles de l'extérieur

#### Arrière

Carte réseau	Deux connecteurs RJ-45 (pour cartes réseau intégrées 1 Gigabit)
Série	9 broches
USB	Deux connecteurs à 4 broches, compatibles USB 2.0
Vidéo	VGA, 15 broches

#### Avant

Vidéo	VGA, 15 broches
USB	Deux connecteurs à 4 broches, compatibles USB 2.0

### Accessibles de l'intérieur

Canaux SATA	Trois x 7 broches
Clé USB (pour clé mémoire)	Un connecteur à 4 broches, compatible USB 2.0

---

**Vidéo**

---

Type de vidéo	Contrôleur VGA ATI ES1000 intégré
Mémoire vidéo	32 Mo (Minimum) – 64 Mo (Maximum), type DDR II

---

**Alimentation**

---

**Bloc d'alimentation en CA**

Puissance	Bloc d'alimentation de 400 W redondant pour les disques durs enfichables à chaud, plus un bloc d'alimentation redondant dans la configuration maximale
Tension	100 – 240 VCA, 50/60 Hz
Appel de courant maximal	Dans des conditions de lignes typiques et dans toute la gamme ambiante de fonctionnement du système, l'appel de courant peut atteindre 25 A pendant un maximum de 10 ms
Pile du système	Pile bouton au lithium-ion CR 2032 (3 V)

---

**Caractéristiques physiques**

---

Hauteur	4,2 cm (1,67 pouces)
Largeur	42,6 cm (16,78 pouces)
<b>Profondeur</b>	
Avec le cadre en option	69,3 cm (27,29 pouces)
Sans le cadre en option	66 cm (26 pouces)
Poids (configuration maximale)	13,45 kg (29,6 livres)

---

## Environnement

---

**REMARQUE :** Pour plus d'informations concernant les mesures d'exploitation liées à différentes configurations spécifiques, rendez-vous à l'adresse [www.dell.com/environmental\\_datasheets](http://www.dell.com/environmental_datasheets).

### Température

Fonctionnement	De 10° à 35°C (50 à 95°F)
Stockage	De -40° à 65°C (-40° à 149°F)

### Humidité relative

Fonctionnement	De 20% à 80% (sans condensation) avec un gradient d'humidité maximal de 10% par heure
Stockage	De 5% à 95% (sans condensation)

### Tolérance maximale aux vibrations

Fonctionnement	0,26 Grms avec un balayage de 5 à 350 Hz pendant 15 minutes
Stockage	1,54 Grms avec un balayage de 10 à 250 Hz pendant 15 minutes

### Choc maximal

Fonctionnement	Une impulsion de choc de 31 G pendant un maximum de 2,6 ms sur l'axe z positif (une impulsion de chaque côté du système)
Stockage	Six chocs consécutifs de 71 G pendant un maximum de 2 ms en positif et négatif sur les axes x, y et z (une impulsion de chaque côté du système)

### Altitude

Fonctionnement	De -16 à 3 048 m (-50 à 10 000 pieds) <b>REMARQUE :</b> Pour les altitudes supérieures à 900 mètres (2950 pieds), la température maximale de fonctionnement est réduite de 1°C tous les 93 m (1°F tous les 550 pieds).
Stockage	De -16 à 10 600 m (-50 à 35 000 pieds)

### Contaminants en suspension dans l'air

Classe	G2 ou inférieure selon la norme ISA-S71.04-1985
--------	---





Dell™ PowerEdge™

Sistemas R300

# Primeiros passos com o sistema



# Notas, Avisos e Advertências



**NOTA:** As NOTAS fornecem informações importantes que o ajudam a utilizar melhor o computador.



**AVISO:** As mensagens de AVISO informam sobre possíveis danos ao hardware ou perda de dados e indicam como evitar o problema.



**ADVERTÊNCIA:** As mensagens de ADVERTÊNCIA indicam possíveis danos de propriedade, ferimentos pessoais ou morte.

---

As informações contidas neste documento estão sujeitas a alterações sem aviso prévio.  
© 2007 Dell Inc. Todos os direitos reservados.

Fica proibida a reprodução por quaisquer meios sem a permissão por escrito da Dell Inc.

Marcas comerciais mencionadas neste texto: *Dell*, o logo da *DELL* e *PowerEdge* são marcas comerciais da Dell Inc.; *Intel*, *Pentium*, *Celeron* e *Xeon* são marcas comerciais registradas e *Core* é uma marca comercial da Intel Corporation nos Estados Unidos e em outros países; *Microsoft*, *Windows* e *Windows Server* são marcas comerciais ou marcas registradas da Microsoft Corporation nos Estados Unidos e/ou outros países; *Red Hat* e *Enterprise Linux* são marcas registradas da Red Hat Inc.; SUSE é uma marca registrada da Novell Inc.

Outras marcas e nomes comerciais podem ser mencionados neste documento em referência às entidades proprietárias das marcas e nomes ou seus produtos. A Dell Inc. renuncia ao direito de qualquer participação em nomes e marcas comerciais que não sejam de sua propriedade.

Modelo SMT

Dezembro de 2007

N/P RW575

Rev. A00

## Recursos do sistema

Os principais recursos de hardware e software do sistema incluem:

- Chassi montável em rack 1U/1S com apoio para trilhos estáticos e deslizantes.



**NOTA:** Use o programa de configuração do sistema para visualizar informações sobre o processador. Consulte a seção “Como utilizar o programa de configuração do sistema” no *Manual do proprietário de hardware*.

- Um dos seguintes processadores:
  - Processador Intel® Celeron® 445 Single Core
  - Processador Intel Core™2 Duo E6305 Dual-Core ou processador E6405
  - Processador Intel Xeon® Quad-Core X3323, X3353 ou X3363
- Um mínimo de módulos de memória de 512 de 667 MHz DDR2 com ECC em filas simples ou duplas, atualizável até um máximo de 24 GB por meio da instalação de combinações de módulos de memória de 512 MB, 1 GB, 2 GB ou 4GB nos seis soquetes para módulo de memória na placa de sistema.
- Uma das seguintes opções de placa riser:
  - Duas placas riser (esquerda e central), cada uma delas proporcionando um slot de expansão PCI-Express com largura de pista x8.OU
  - Uma placa riser (central), proporcionando um slot de expansão PCI-Express com largura de pista x8.
  - Uma placa riser (esquerda), proporcionando um slot de expansão PCI-X de 3.3 V, 64 bits, 133MHz.
- Uma unidade de DVD ou combinação CD-RW/DVD de 12,7 mm em um compartimento de unidade de dispositivos.

- Há suporte para para as seguintes configurações das unidades de disco rígido internas:
  - Até duas unidades de disco rígido SATA internas de 3,5 polegadas com uma placa controladora SAS opcional (opção de conexão automática disponível).
  - Até duas unidades de disco rígido internas Serial-Attached SCSI (SAS) de 3,5 polegadas com uma placa controladora SAS opcional (opção de conexão automática disponível).
- Controlador de acesso remoto opcional para o gerenciamento remoto de sistemas, instalado no slot dedicado na placa do sistema.
- Optional USB flash drive emulates a diskette drive or hard drive.
- Uma fonte de alimentação de 400 W (fonte de alimentação redundante opcional disponível).
- Uma placa NIC Gigabit Ethernet integrada, capaz de suportar taxas de dados de 1000 Mbps, 100 Mbps ou 10 Mbps, com suporte para PXE e Wake-on-LAN.
- Um controlador de acesso remoto da Dell (DRAC5), que fornece gerenciamento remoto de sistemas, recuperação de sistemas com falhas e funções de controle de energia no Dell PowerEdge.
- Um subsistema de vídeo compatível com o padrão VGA, com um controlador de vídeo PCI ATI ES1000 de 33 MHz. Esse subsistema de vídeo contém memória gráfica mínima de 32 MB com suporte para gráficos 2 D. A resolução máxima é de 1280 x 1024 com 65.536 cores e os gráficos têm suporte nas seguintes resoluções: 640 x 480, 800 x 600, 1024 x 768 e 1280 x 1024. Quando houver a instalação de uma placa de acesso remoto opcional, a resolução de vídeo máxima será de 1280 x 1024.
- Módulos de ventilador, cada um deles composto por dois ventiladores de rotor duplo, posicionados na frente do processador e da memória.
- Módulos de ventilador compostos por dois ventiladores de rotor duplo, posicionados na frente da PSU. Esses ventiladores são usados nas duas PSUs redundantes (unidades de disco rígido com conexão automática e configuração de PSU redundante).

- Conector serial para suporte do redirecionamento do console.
- Recursos de segurança que incluem detecção de violação do chassi e travamento da fechadura na tampa frontal opcional.
- Um módulo de plataforma confiável (Trusted Platform Module, TPM) integrado versão 1.2, usado para aplicativos de segurança, capaz de gerar e armazenar chaves de memória e armazenar senhas e certificados digitais (não disponível na China).
- Software/circuito de gerenciamento de sistemas que monitora a tensão e temperaturas críticas do sistema.
- Os conectores do painel traseiro incluem conectores de vídeo, serial, dois conectores USB e dois conectores de rede.
- Os conectores do painel frontal incluem um conector de vídeo e dois conectores USB.
- Um conector USB interno incluído para chaves de memória inicializáveis.
- Um visor LCD de 1x5 pol. no painel frontal para visualização da identificação do sistema e de mensagens de erro.

Para obter mais informações sobre recursos específicos, consulte a seção “Especificações técnicas” na página 41.

O sistema é fornecido com os seguintes softwares:

- Um programa de configuração do sistema (System Setup) para exibição e alteração rápidas das informações de configuração do sistema. Para obter mais informações, consulte “Como utilizar o programa de configuração do sistema” no *Manual do proprietário de hardware*.
- Recursos aperfeiçoados de segurança, incluindo uma senha de sistema e uma senha de configuração, disponíveis por meio do programa de configuração do sistema.
- Drivers de vídeo para a exibição de programas em alta resolução.

Software e documentação de gerenciamento de sistemas.

## Sistemas operacionais admitidos

- Microsoft® Windows Server® 2008, edições Standard e Enterprise (x86 de 32 bits) (*quando disponível*)
- Microsoft Windows Server 2008 Web, Standard, Small Business Server (Premium e Standard), e edições Enterprise (x64) (*quando disponível*)
- Microsoft Windows Server 2003 Web, Standard, Small Business Server (Premium e Standard), e edições Enterprise (32-bit x86) (SP1 e SP2)
- Microsoft Windows Server 2003, nas edições x64 Standard e Enterprise
- Microsoft Windows Server 2003 R2 Standard, Small Business Server (Premium e Standard), e edições Enterprise (32-bit x86)
- Microsoft Windows Server 2003, nas edições x64 Standard e Enterprise
- Red Hat® Enterprise Linux® ES (versões 4 e 5) (x86\_32)
- Red Hat Enterprise Linux ES (versões 4 e 5) (x86\_64)
- SUSE® Linux Enterprise Server 9 (SP4) (x86\_64)
- SUSE Linux Enterprise Server 10 (x86\_64)




**NOTA:** Para obter as informações mais recentes sobre os sistemas operacionais compatíveis, consulte o site [www.dell.com](http://www.dell.com).

## Outras informações úteis



**ADVERTÊNCIA:** O *Guia de informações do produto* fornece informações importantes sobre segurança e regulamentação. As informações sobre garantia podem estar incluídas neste documento ou serem fornecidas como um documento separado.

- O documento *Guia para instalação em rack* ou *Instruções para montagem em rack* incluído com a solução em rack descreve como instalar o sistema em racks.
- O *Guia de primeiros passos* fornece uma visão geral sobre os recursos, a configuração inicial do sistema e as especificações técnicas.
- O *Manual do proprietário de hardware* fornece informações sobre os recursos do sistema e descreve como solucionar problemas do sistema e instalar ou substituir seus componentes.

- Os CDs incluídos com o sistema fornecem documentação e ferramentas para a configuração e o gerenciamento do sistema.
  - A documentação do software de gerenciamento de sistemas descreve os recursos, os requisitos, a instalação e o funcionamento básico do software.
  - A documentação do sistema operacional descreve como instalar (se necessário), configurar e utilizar o software do sistema operacional.
  - A documentação para quaisquer componentes adquiridos em separado fornece informações para configurar e instalar esses opcionais.
  - Às vezes, atualizações são fornecidas com o sistema para descrever mudanças ao sistema, software e/ou à documentação.
-  **NOTA:** Verifique sempre as atualizações disponíveis no site [support.dell.com](http://support.dell.com) (em Inglês) e leia sempre as atualizações em primeiro lugar, pois estas geralmente substituem informações contidas em outros documentos.
- Talvez existam notas de versão e arquivos leia-me incluídos, para fornecer atualizações de última hora do sistema ou documentação/material para referência técnica avançada destinados a usuários experientes ou técnicos.

## Como obter assistência técnica

Se não compreender algum procedimento descrito neste guia ou se o sistema não apresentar o desempenho esperado, consulte o *Manual do proprietário de hardware*.

Existem recursos de treinamento e certificação empresarial da Dell; visite o site [www.dell.com/training](http://www.dell.com/training) (em inglês) para obter mais informações. Esse serviço pode não ser oferecido em todos os locais.

# Instalação e configuração

**⚠️ ADVERTÊNCIA:** Antes de executar o seguinte procedimento, leia e siga as instruções de segurança e as informações importantes sobre regulamentação contidas no *Guia de informações do produto*.

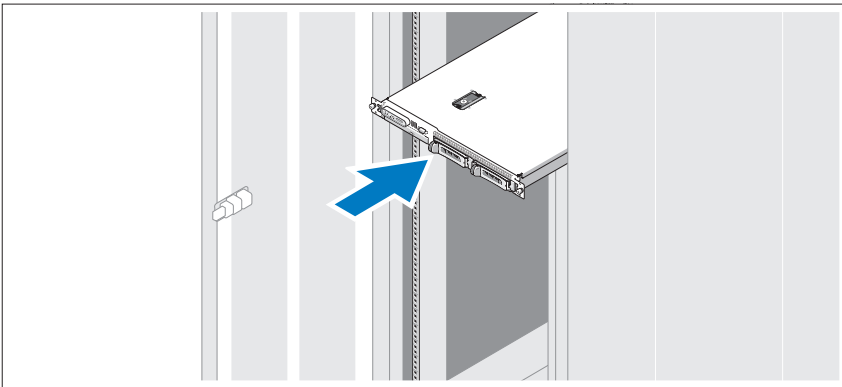
**⚠️ ADVERTÊNCIA:** Sempre que precisar levantar o sistema, solicite a ajuda de outras pessoas. Para evitar ferimentos, não tente levá-lo por conta própria.

Esta seção descreve as etapas para a configuração do sistema pela primeira vez.

## Remoção do sistema da embalagem

Remova o sistema da embalagem e identifique cada item. Mantenha todos os materiais de envio para o caso de precisar deles mais tarde.

## Instalação do trilho e do sistema no rack

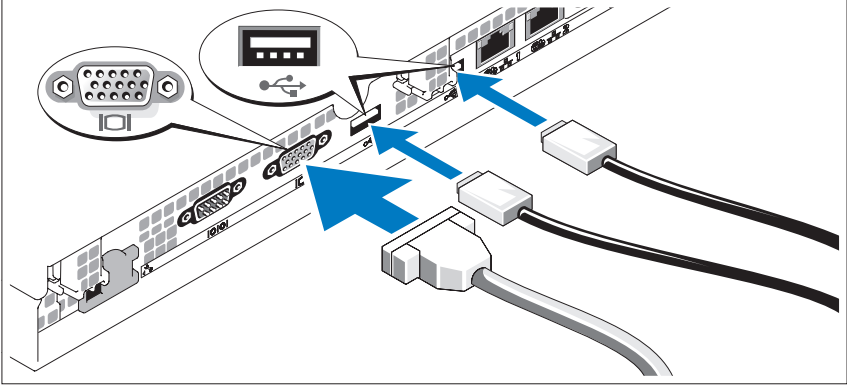


Instale o sistema no rack depois de ler as instruções de segurança localizadas na documentação de instalação em rack para o sistema.

Consulte o documento de instalação do rack para obter instruções sobre como instalar o seu sistema em um rack. Para consultar as diretrizes sobre energia e resfriamento, consulte a ferramenta planejadora de capacidade do rack no site [www.dell.com](http://www.dell.com) (em inglês).



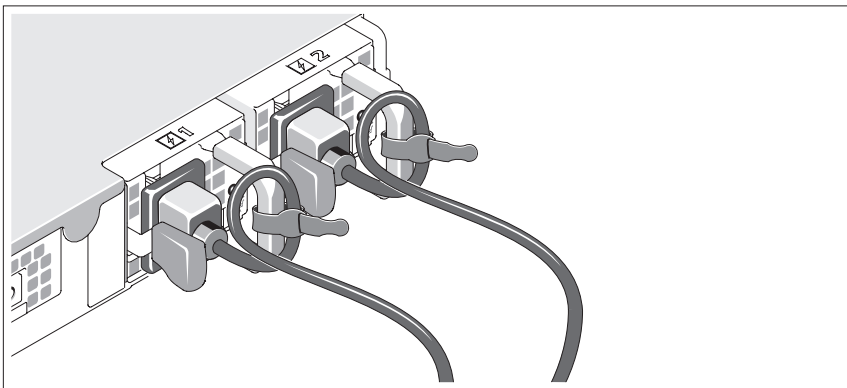
## Conexão de teclado, mouse e monitor



Conecte o teclado, o mouse e o monitor (opcional).

Os conectores na parte de trás do sistema possuem ícones indicando quais cabos devem ser ligados a cada conector. Certifique-se de apertar os parafusos (se houver) no conector do cabo do monitor.

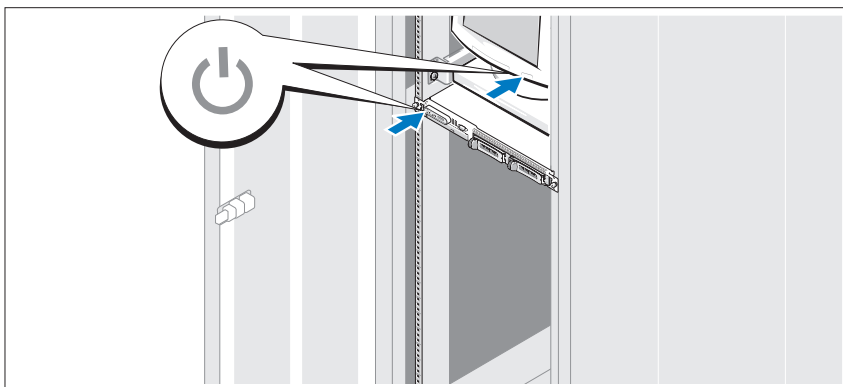
## Conexão da energia



Conecte os cabos de energia ao sistema (veja na ilustração um exemplo de sistema redundante). No caso dos sistemas redundantes, prenda os cabos com as fitas de velcro incluídas na remessa, conforme mostrado. Nos sistemas não redundantes, use o suporte de retenção do cabo de alimentação enviado com o sistema.

Conecte a outra extremidade do cabo a uma tomada elétrica aterrada ou a uma fonte de energia separada como, por exemplo, uma UPS (Uninterrupted Power Supply – Fonte de alimentação contínua) ou uma PDU (Power Distribution Unit – Unidade de distribuição de energia).

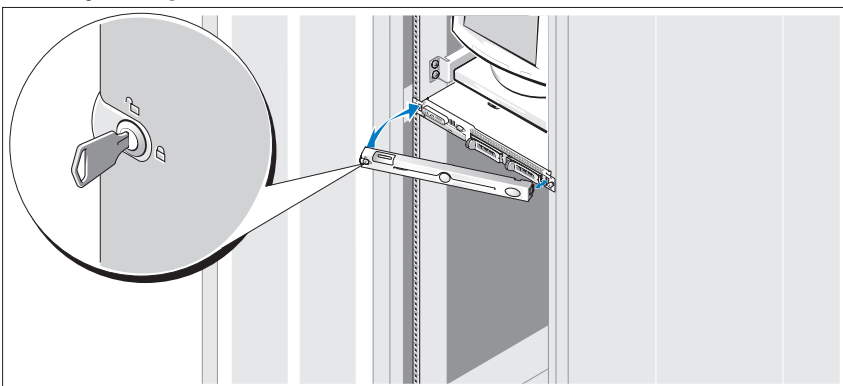
### Como ligar o sistema



Ligue o sistema e o monitor (opcional).

Pressione o botão liga/desliga do sistema e do monitor. As luzes indicadoras de energia deverão se acender. Ajuste os controles do monitor até que a imagem exibida seja satisfatória.

### Instalação do painel



Instale o painel frontal (opcional).

## Conclua a configuração do sistema operacional

Caso tenha adquirido um sistema operacional pré-instalado, consulte a respectiva documentação fornecida com o sistema. Para instalar um sistema operacional pela primeira vez, consulte o *Guia de instalação rápida*.

Certifique-se de que o sistema operacional esteja instalado antes de instalar qualquer hardware ou software que não tenha sido adquirido com o sistema.

## Especificações técnicas

---

### Processador

---

Tipo de processador	Processador Intel® Celeron® 445 Single Core ou Processador seqüencial Intel Core™2 Duo E6305 ou E6405 Dual-Core ou Processador serial Intel Xeon® Quad-Core X3323, X3353 ou X3363
---------------------	---

---

### Barramentos de expansão

---

Tipo de barramento	PCI-X, PCIe
Slots de expansão – Duas placas riser opcionais	
Riser 1	
Riser Central PCIe	Um slot PCIe de altura completa e meio comprimento de pista x8
Riser Esquerda PCIe	Um slot PCIe de altura completa e meio comprimento de pista x8
Riser 2	
Riser Esquerda PCI-X	Um slot PCI-X de altura completa e meio comprimento de 64 bits, 133MHz
Riser Central PCIe	Um slot PCIe de altura completa e meio comprimento de pista x8

---

## Memória

---

Arquitetura	Até seis módulos de memória RDRAM DDR2 de 677 MHz com ECC
Soquetes dos módulos de memória	Seis de 240 pinos
Capacidades dos módulos de memória	512 MB, 1 GB, 2 GB, 4GB
RAM mínima	512 MB (um módulo de 512 MB)
RAM máxima	24 GB

---

## Unidades

---

### Unidades de disco rígido

SATA	Até duas internas de 3,5 polegadas (opcional para conexão automática)
SAS	Até duas internas de 3,5 polegadas com placa controladora SAS opcional (opcional para conexão automática)
Unidade de CD/DVD	Uma unidade de DVD opcional, ou combinação CD-RW/DVD, em um compartimento de unidade de dispositivo <b>NOTA:</b> Os dispositivos de DVD destinam-se somente a dados.
Unidade flash USB	Uma unidade opcional que emula uma unidade de disquete ou de disco rígido

---

## Conectores

---

### Acessíveis externamente

#### Parte posterior

Adaptador de rede	Dois RJ-45 (para adaptadores de rede integrados de 1 GB)
Serial	9 pinos
USB	Dois de 4 pinos, compatível com USB 2.0
Vídeo	VGA de 15 pinos

---

**Conectores** *(continuação)*

---

**Parte frontal**

Vídeo	VGA de 15 pinos
USB	Dois de 4 pinos, compatível com USB 2.0

**Acessíveis internamente**

Canais SATA	Três de 7 pinos
Chave USB (para chave de memória)	Dois de 4 pinos, compatível com USB 2.0

---

**Vídeo**

---

Tipo de vídeo	Controlador ATI ES1000 VGA integrado
Memória de vídeo	32 MB (Mín.) -64 MB (Máx.) DDR II

---

**Energia**

---

**Fonte de alimentação CA**

Potência	PSU redundante de 400 W para unidades de conexão automática e configuração PSU (configuração máxima)
Voltagem	100–240 VAC, 50/60 Hz
Corrente de entrada máxima	Sob condições de linha típicas e dentro de todo o intervalo de temperatura ambiente de funcionamento do sistema, a corrente de entrada poderá atingir 25 A por fonte de alimentação por 10 ms ou menos
Bateria do sistema	Pilha do tipo moeda, de íon de lítio, CR 2032 de 3,0 V

---

**Características físicas**

---

Altura	4,2 cm (1,67 in)
Largura	42,6 cm (16,78 in)
<b>Profundidade</b>	
Com painel opcional	69,3 cm (27,29 in)
Com painel opcional	66 cm (26 in)
Peso (configuração máxima)	13,45 kg (29,6 lb)

---

**Características ambientais**

---

**NOTA:** Para obter informações adicionais sobre os valores ambientais para configurações de sistema específicas, visite o site [www.dell.com/environmental\\_datasheets](http://www.dell.com/environmental_datasheets) (em Inglês).

**Temperatura**

De funcionamento	10 °C a 35 °C (50 °F a 95 °F)
De armazenamento	-40 °C a 65 °C (-40 °F a 149 °F)

**Umidade relativa**

De funcionamento	20% a 80% (sem condensação) com variação de umidade máxima de 10% por hora
De armazenamento	5% a 95% (sem condensação)

**Vibração máxima**

De funcionamento	0,26 Grms a 5–350 Hz por 15 min
De armazenamento	1,54 Grms a 10–250 Hz por 15 min

---

## Características ambientais *(continuação)*

---

### Choque máximo

De funcionamento	Um pulso de choque no eixo z positivo (um pulso de cada lado do sistema) de 31 G por até 2,6 ms
De armazenamento	Seis pulsos de choque executados de forma consecutiva nos eixos x, y e z positivos e negativos (um pulso de cada lado do sistema) de 71 G por até 2 ms

### Altitude

De funcionamento	-16 m a 3.048 m (-50 a 10.000 pés) <b>NOTA:</b> Para altitudes acima de 2950 pés (900 metros), a temperatura de operação máxima é avaliada em 1°F/550 pés (1°C/93 m).
De armazenamento	-16 m a 10.600 m (-50 a 35.000 pés)

### Nível de poluentes transportados pelo ar

Classe	G2 ou inferior, conforme definido pelo ISA-S71.04-1985
--------	--





Sistemas Dell™  
PowerEdge™ R300

# Procedimientos iniciales con el sistema



# Notas, avisos y precauciones



**NOTA:** Una NOTA proporciona información importante que le ayudará a utilizar mejor el ordenador.



**AVISO:** Un AVISO indica la posibilidad de daños en el hardware o la pérdida de datos, e informa de cómo evitar el problema.



**PRECAUCIÓN:** Un mensaje de PRECAUCIÓN indica el riesgo de daños materiales, lesiones o incluso la muerte.

---

**La información contenida en este documento puede modificarse sin previo aviso.**

**© 2007 Dell Inc. Todos los derechos reservados.**

Queda estrictamente prohibida la reproducción de este documento en cualquier forma sin la autorización por escrito de Dell Inc.

Marcas comerciales utilizadas en este texto: *Dell*, el logotipo de *DELL* y *PowerEdge* son marcas comerciales de Dell Inc.; *Intel*, *Pentium*, *Celeron* y *Xeon* son marcas comerciales registradas y *Core* es una marca comercial de Intel Corporation en los Estados Unidos y en otros países; *Microsoft*, *Windows* y *Windows Server* son marcas comerciales o marcas comerciales registradas de Microsoft Corporation en los Estados Unidos o en otros países; *Red Hat* y *Enterprise Linux* son marcas comerciales registradas de Red Hat Inc.; SUSE es una marca comercial registrada de Novell Inc.

Otras marcas y otros nombres comerciales pueden utilizarse en este documento para hacer referencia a las entidades que los poseen o a sus productos. Dell Inc. renuncia a cualquier interés sobre la propiedad de marcas y nombres comerciales que no sean los suyos.

**Modelo SMT**

**Diciembre de 2007**

**N/P RW575**

**Rev. A00**

# Componentes del sistema

Los principales componentes de hardware y software del sistema son:

- Chasis montable en rack 1U/1S que admite rieles estáticos y rieles deslizantes.
  - ✎ **NOTA:** Utilice el programa de configuración del sistema para visualizar la información del procesador. Consulte "Uso del programa de configuración del sistema" en el *Manual del propietario del hardware*.
- Uno de los procesadores siguientes:
  - Procesador de un solo núcleo Intel® Celeron® 445
  - Procesador de doble núcleo Intel Core™ 2 Duo E6305 o E6405
  - Procesador de cuatro núcleos Intel Xeon® X3323, X3353 o X3363
- Un mínimo de 512 MB de módulos de memoria DDR2 registrada duales o no duales a 667 MHz con ECC, ampliables a un máximo de 24 GB mediante la instalación de combinaciones de módulos de memoria de 512 MB, 1 GB, 2 GB o 4 GB en seis zócalos de módulo de memoria de la placa base.
- Una de las siguientes opciones de tarjeta vertical:
  - Dos tarjetas verticales (izquierda y central), cada una de ellas con una ranura de expansión PCI-Express x8
  - O bien:
    - Una tarjeta vertical (central) con una ranura de expansión PCI-Express x8
    - Una tarjeta vertical (izquierda) con una ranura de expansión PCI-X de 3,3 V y 64 bits a 133 MHz
- Una unidad de DVD o una unidad de CD-RW/DVD combinada de 12,7 mm en un compartimiento para unidades de dispositivo.

- Compatibilidad con las siguientes configuraciones de unidad de disco interna:
  - Hasta dos unidades de disco duro SATA internas de 3,5 pulgadas con la tarjeta controladora SAS opcional (acoplamiento activo opcional)
  - Hasta dos unidades de disco duro SCSI de conexión serie (SAS) internas de 3,5 pulgadas con una tarjeta controladora SAS (acoplamiento activo opcional)
- Controladora de acceso remoto opcional para la administración remota de sistemas que se instala en la ranura dedicada de la placa base.
- La unidad flash USB opcional emula una unidad de disquete o de disco duro.
- Una fuente de alimentación de 400 W (disponible con fuente de alimentación redundante opcional).
- Dos adaptadores de red Ethernet Gigabit integrados que admiten velocidades de transferencia de datos de 10 Mbps, 100 Mbps y 1 000 Mbps compatibles con Wake-on-LAN.
- Una tarjeta Dell Remote Access Controller (DRAC 5), que proporciona administración remota de sistemas, recuperación del sistema en caso de bloqueo y control de alimentación para Dell PowerEdge.
- Un subsistema de vídeo integrado compatible con VGA con una controladora de vídeo PCI ATI ES1000 a 33 MHz. Este subsistema de vídeo contiene un mínimo de 32 MB de memoria gráfica que admite gráficos en 2D. La resolución máxima es de 1 600 x 1 200 con 65 536 colores; admite gráficos de color verdadero en las resoluciones siguientes: 640 x 480, 800 x 600, 1 024 x 768 y 1 280 x 1 024. Cuando la tarjeta de acceso remoto opcional está instalada, la resolución máxima de vídeo es de 1 280 x 1 024.
- Módulos de ventilador, cada uno con dos ventiladores de dos rotores situados delante del procesador y la memoria.
- Módulos de ventilador, cada uno con dos ventiladores de dos rotores situados delante de la unidad de fuente de alimentación (PSU). Estos ventiladores se utilizan para las dos PSU redundantes (unidades de disco duro de acoplamiento activo y configuración de PSU redundante).

- Conector serie para admitir la redirección de consola.
- Funciones de seguridad, como por ejemplo detección de intrusión en el chasis y cerradura en el embellecedor opcional.
- Un módulo de plataforma segura (TPM) versión 1.2 integrado para aplicaciones de seguridad, que permite generar y almacenar claves, así como almacenar contraseñas y certificados digitales (no está disponible en China).
- Circuitos/software de administración de sistemas que supervisan las temperaturas y los voltajes del sistema críticos.
- En el panel posterior se incluyen el conector de vídeo, el conector serie, dos conectores USB y dos conectores del adaptador de red.
- En el panel frontal se incluyen un conector VGA y dos conectores USB.
- Se incluye un conector USB interno para una memoria USB de inicio.
- LCD de panel frontal 1x5 para la ID y los mensajes de error del sistema.

Para obtener más información sobre componentes específicos, consulte “Especificaciones técnicas” en la página 57.

El software siguiente está incluido en el sistema:

- Un programa de configuración del sistema para ver y cambiar información de configuración del sistema. Para obtener más información, consulte “Uso del programa de configuración del sistema” en el *Manual del propietario del hardware*.
- Funciones de seguridad mejoradas, entre las que se incluyen una contraseña del sistema y una contraseña de configuración, disponibles mediante el programa de configuración del sistema.
- Controladores de vídeo para visualizar programas en modos de alta resolución.

Software de administración de sistemas y CD de documentación.

## Sistemas operativos admitidos

- Microsoft® Windows Server® 2008 Web, Standard y Enterprise (x86 de 32 bits) Edition (*si están disponibles*)
- Microsoft Windows Server 2008 Web, Standard, Small Business Server (Premium y Standard) y Enterprise (x64) Edition (*si están disponibles*)
- Microsoft Windows Server 2003 Web, Standard, Small Business Server (Premium y Standard) y Enterprise (x86 de 32 bits) Edition (SP1 y SP2)
- Microsoft Windows Server 2003 Standard y Enterprise (x64) Edition
- Microsoft Windows Server 2003 R2 Standard, Small Business Server (Premium y Standard) y Enterprise (x86 de 32 bits) Edition
- Microsoft Windows Server 2003 R2 Standard y Enterprise (x64) Edition
- Red Hat® Enterprise Linux® ES (versiones 4 y 5) (x86\_32)
- Red Hat Enterprise Linux ES (versiones 4 y 5) (x86\_64)
- SUSE® Linux Enterprise Server 9 (x86\_64) con SP4 o posterior
- SUSE Linux Enterprise Server 10 (x86\_64)



**NOTA:** Para obtener la información más reciente sobre los sistemas operativos admitidos, visite [www.dell.com](http://www.dell.com).

## Otra información útil



**PRECAUCIÓN:** La *Guía de información del producto* contiene información importante sobre seguridad y normativas. La información sobre la garantía puede estar incluida en este documento o constar en un documento aparte.

- En los documentos *Guía de instalación del rack* o *Instrucciones de instalación del rack*, incluidos con el rack, se describe cómo instalar el sistema en un rack.
- En la *Guía de introducción* se ofrece una visión general sobre los componentes, la configuración y las especificaciones técnicas del sistema.
- En el *Manual del propietario del hardware* se proporciona información sobre los componentes del sistema y se describe cómo solucionar problemas del sistema e instalar o sustituir componentes.

- Los CD que se facilitan con el sistema proporcionan documentación y herramientas para configurar y administrar el sistema.
- En la documentación del software de administración de sistemas se describen las funciones, los requisitos, la instalación y el funcionamiento básico del software.
- En la documentación del sistema operativo se describe cómo instalar (si es necesario), configurar y utilizar el software del sistema operativo.
- En la documentación de los componentes adquiridos por separado se incluye información para configurar e instalar las opciones correspondientes.
- Algunas veces, con el sistema se incluyen actualizaciones que describen los cambios realizados en el sistema, en el software o en la documentación.
  - ✍ **NOTA:** Compruebe si hay actualizaciones en [support.dell.com](http://support.dell.com) y, si las hay, léalas antes de proceder a la instalación, puesto que a menudo sustituyen la información contenida en otros documentos.
- Es posible que se incluyan notas de la versión o archivos Léame para proporcionar actualizaciones de última hora relativas al sistema o a la documentación, o material de consulta técnica avanzada destinado a técnicos o usuarios experimentados.

## Obtención de asistencia técnica

Si no comprende algún procedimiento descrito en esta guía o si el sistema no funciona del modo esperado, consulte el *Manual del propietario del hardware*.

Tiene a su disposición el servicio de formación y certificación Dell para empresas. Para obtener más información, visite [www.dell.com/training](http://www.dell.com/training). Es posible que este servicio no se ofrezca en todas las regiones.

# Instalación y configuración

**⚠ PRECAUCIÓN:** Antes de realizar el procedimiento siguiente, lea y siga las instrucciones de seguridad y la información importante sobre normativas incluidas en la *Guía de información del producto*.

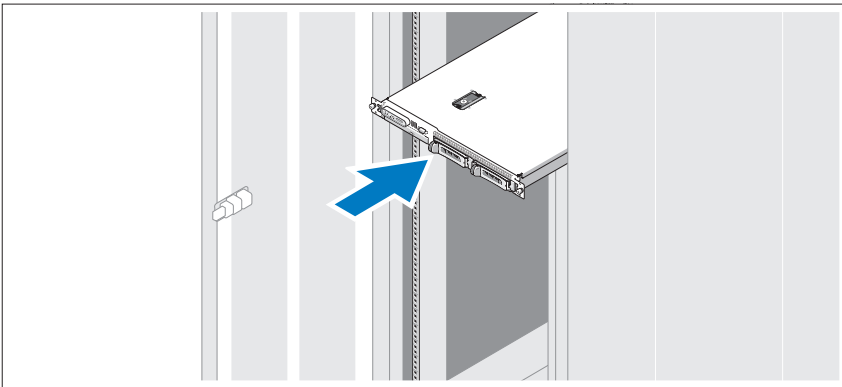
**⚠ PRECAUCIÓN:** Siempre que necesite levantar el sistema, pida la ayuda de otros. Con el fin de evitar lesiones personales, no intente mover el sistema usted solo.

En esta sección se describen los pasos para configurar el sistema por primera vez.

## Desembalaje del sistema

Desembale el sistema e identifique cada elemento. Guarde el material de embalaje por si lo necesita más adelante.

## Instalación del riel y del sistema en un rack

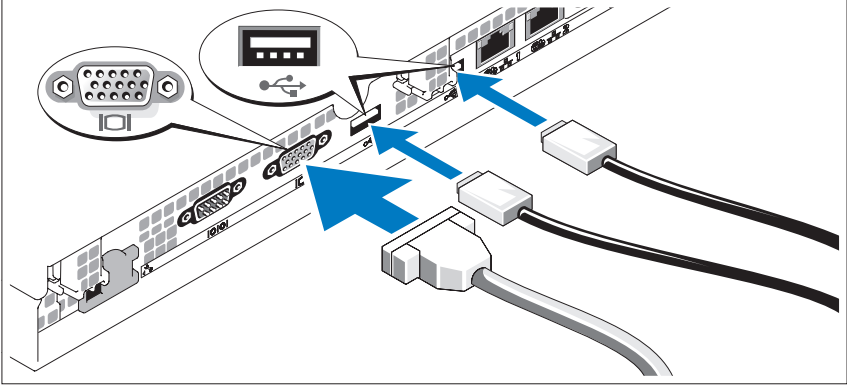


Después de leer las instrucciones de seguridad incluidas en la documentación del sistema relativa a la instalación del rack, instale el sistema en el rack.

Consulte la documentación de instalación del rack para obtener instrucciones sobre la instalación del sistema en un rack. Para obtener pautas sobre alimentación y refrigeración, consulte la herramienta de planificación de la capacidad del rack en [www.dell.com](http://www.dell.com).



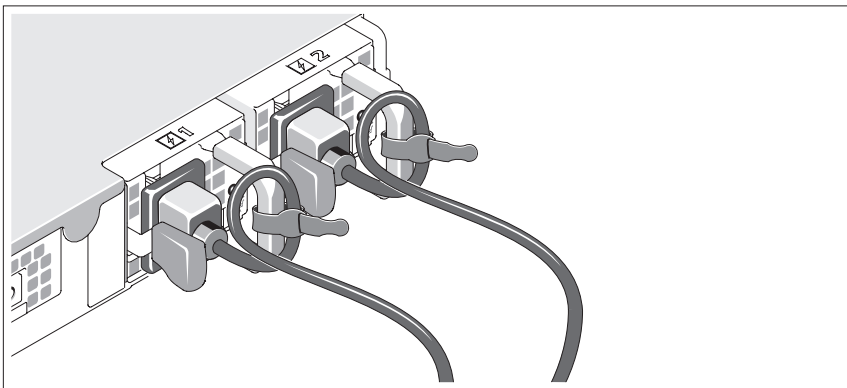
## Conexión del teclado, el ratón y el monitor



Conecte el teclado, el ratón y el monitor (opcional).

Los conectores de la parte posterior del sistema incluyen iconos que indican qué cable debe enchufarse en cada conector. Asegúrese de apretar los tornillos (si los hay) del conector del cable del monitor.

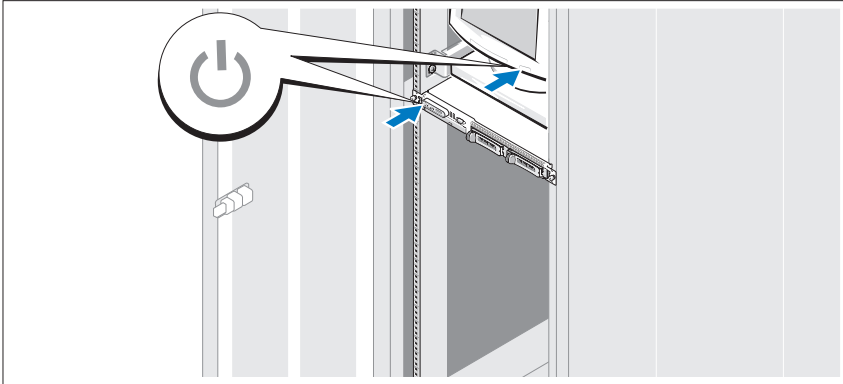
## Conexión de la alimentación



Conecte los cables de alimentación al sistema (en la ilustración se muestra un sistema redundante). En los sistemas redundantes, fije los cables con las dos tiras de velcro que se suministran con el sistema, tal como se indica. En los sistemas sin redundancia, fije el soporte de retención del cable de alimentación que se suministra con el sistema.

Conecte el otro extremo del cable a una toma eléctrica con conexión a tierra o a otra fuente de energía, como por ejemplo un sistema de alimentación ininterrumpida (SAI) o una unidad de distribución de alimentación (PDU).

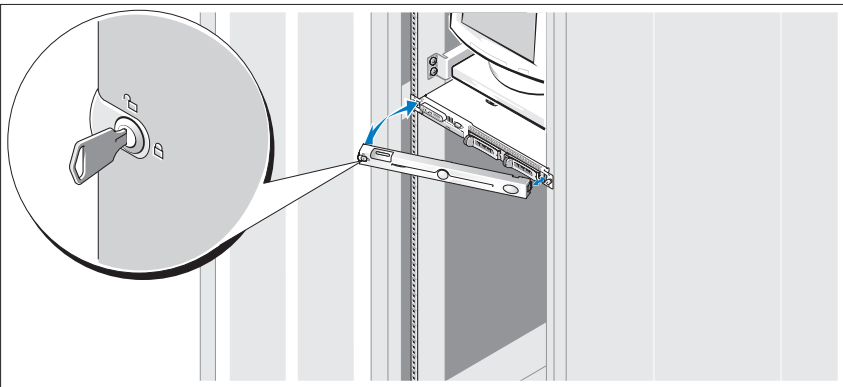
### Encendido del sistema



Encienda el sistema y el monitor (opcional).

Presione el botón de encendido del sistema y del monitor. Los indicadores luminosos de alimentación deberían encenderse. Ajuste los controles del monitor hasta que la imagen mostrada sea satisfactoria.

### Instalación del embellecedor



Instale el embellecedor (opcional).

# Finalización de la configuración del sistema operativo

Si ha adquirido un sistema operativo preinstalado, consulte la documentación del sistema operativo que se suministra con el sistema. Para instalar un sistema operativo por primera vez, consulte la *Guía de instalación rápida*. Asegúrese de que el sistema operativo está instalado antes de instalar hardware o software no adquirido con el sistema.

## Especificaciones técnicas

---

### Procesador

---

Tipo de procesador	Procesador de un solo núcleo Intel® Celeron® 445 O bien: Procesador de doble núcleo Intel Core™ 2 Duo secuencia E6305 o E6405 O bien: Procesador de cuatro núcleos Intel Xeon® serie X3323, X3353 o X3363
--------------------	--

---

### Buses de expansión

---

Tipo de bus	PCI-X, PCIe
<b>Ranuras de expansión para dos tarjetas verticales opcionales</b>	
Tarjeta vertical 1	
Tarjeta vertical PCIe central	Una ranura PCIe x8 de altura completa y media longitud
Tarjeta vertical PCIe izquierda	Una ranura PCIe x8 de altura completa y media longitud
Tarjeta vertical 2	
Tarjeta vertical PCI-X izquierda	Una ranura PCI-X de 64 bits a 133 MHz de altura completa y media longitud
Tarjeta vertical PCIe central	Una ranura PCIe x8 de altura completa y media longitud

---

## Memoria

---

Arquitectura	Hasta seis módulos de memoria RDRAM DDR2 registrada a 677 MHz con ECC
Zócalos de módulo de memoria	Seis de 240 patas
Capacidades de módulo de memoria	512 MB, 1 GB, 2 GB y 4 GB
RAM mínima	512 MB (un módulo de 512 MB)
RAM máxima	24 GB

---

## Unidades

---

### Unidades de disco duro

SATA	Hasta dos unidades internas de 3,5 pulgadas (acoplamiento activo opcional)
SAS	Hasta dos unidades internas de 3,5 pulgadas con una tarjeta controladora SAS opcional (acoplamiento activo opcional)
Unidad de CD/DVD	Una unidad de DVD o de CD-RW/DVD combinada opcional en un compartimiento para unidades de dispositivo <b>NOTA:</b> Los dispositivos de DVD son sólo de datos.
Unidad flash USB	Una unidad opcional que emula una unidad de disquete o de disco duro

---

## Conectores

---

### Acceso externo

#### Parte posterior

Adaptador de red	Dos RJ-45 (para adaptadores de red de 1 gigabit integrados)
Serie	9 patas
USB	Dos de 4 patas compatibles con USB 2.0
Vídeo	VGA de 15 patas

---

**Conectores** *(continuación)*

---

**Parte frontal**

Vídeo	VGA de 15 patas
USB	Dos de 4 patas compatibles con USB 2.0

**Acceso interno**

Canales SATA	Tres de 7 patas
Memoria USB	Uno de 4 patas compatible con USB 2.0

---

**Vídeo**

Tipo de vídeo	Controladora VGA ATI ES1000 integrada
Memoria de vídeo	DDR II de 32 MB mínimo o 64 MB máximo

---

**Alimentación****Fuente de alimentación de CA**

Potencia	PSU redundante de 400 W para unidades de disco duro de acoplamiento activo más configuración de PSU redundante (configuración máxima)
Voltaje	100–240 V CA, 50/60 Hz
Corriente de conexión máxima	En condiciones normales de línea y en todo el ambiente del rango operativo del sistema, la corriente de la conexión puede alcanzar los 25 A durante 10 ms o menos

Batería del sistema	Batería de tipo botón de litio CR2032 de 3 V
---------------------	--

---

**Características físicas**

Altura	4,2 cm
Anchura	42,6 cm

**Profundidad**

Con embellecedor opcional	69,3 cm
Sin embellecedor opcional	66 cm
Peso en kg (configuración máxima)	13,45 kg

---

## Especificaciones ambientales

---

**NOTA:** Para obtener información adicional sobre medidas medioambientales relativas a configuraciones del sistema específicas, visite [www.dell.com/environmental\\_datasheets](http://www.dell.com/environmental_datasheets).

### Temperatura

En funcionamiento	De 10 a 35 °C
En almacenamiento	De -40 a 65 °C

### Humedad relativa

En funcionamiento	Del 20 al 80% (sin condensación) con una gradación de humedad máxima del 10% por hora
En almacenamiento	Del 5 al 95% (sin condensación)

### Vibración máxima

En funcionamiento	0,26 Grms a 5–350 Hz durante 15 minutos
En almacenamiento	1,54 Grms a 10–250 Hz durante 15 minutos

### Impacto máximo

En funcionamiento	Un choque en el sentido positivo del eje z (un choque en cada lado del sistema) de 31 G durante un máximo de 2,6 ms
En almacenamiento	Seis choques ejecutados consecutivamente en los ejes x, y y z positivo y negativo (un choque en cada lado del sistema) de 71 G durante un máximo de 2 ms

### Altitud

En funcionamiento	De -16 a 3 048 m <b>NOTA:</b> Para altitudes superiores a los 900 m, la temperatura máxima de funcionamiento se reduce 1 °C cada 93 m.
En almacenamiento	De -16 a 10 600 m

### Nivel de contaminación atmosférica

Clase	G2 o menos de acuerdo con ISA-S71.04-1985
-------	---